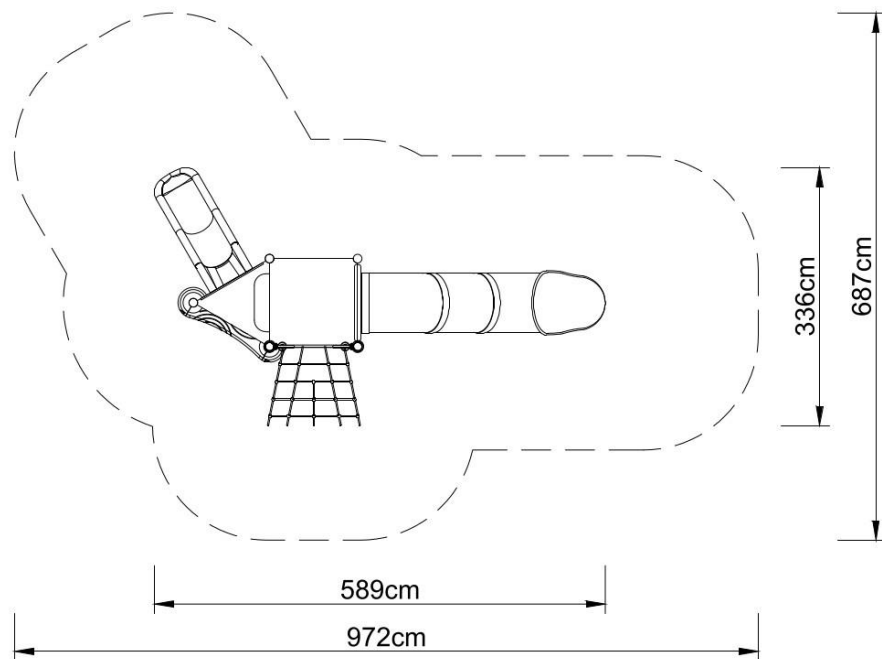


Playground set ECO-JUNIOR 6120

The set contains:

- 5 poles,
- 1 square platform,
- 1 triangular platform,
- Diagonal entry net,
- Entry ladder,
- Single open slide from the platform 90 cm,
- Single tube slide from the platform 120 cm,
- Decorative roof,
- Educational panel,
- Connecting elements.





Technical data:

- length: 589 cm
- width: 336 cm
- platform height: 90, 120 cm, total 300 cm
- free fall height: 120 cm
- fall zone: 972 x 687 cm
- safety standards: EN 1176-1; EN 1176-3

Materials:

- Poles with a diameter of 114 mm and an axial spacing of 115 cm are made of stainless steel pipes of at least AISI304 class,
- galvanized steel platforms, powder-coated with polyester paints, covered with a waterproof anti-slip board,
- 15 mm thick HDPE board panels with high UV resistance,
- finishing elements (slides, roofs) made of low-density polyethylene - LLDPE, dyed in the mass, using the rotary method,
- clamps and connectors made of aluminum castings,
- Connecting elements, i.e. screws, etc. made of stainless steel.