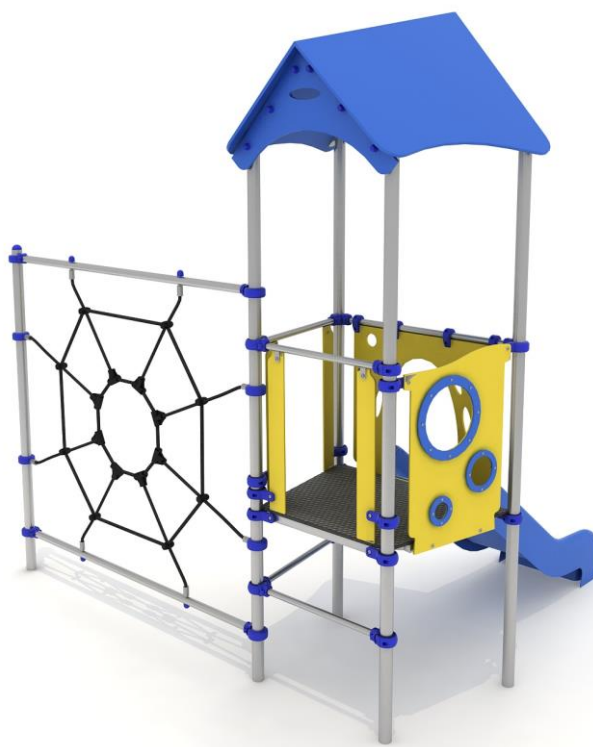
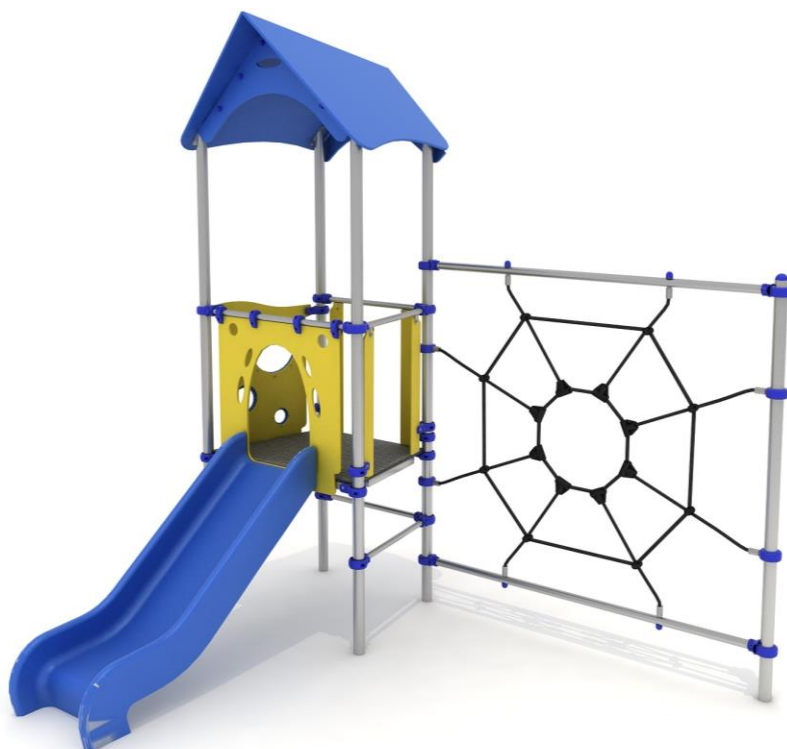
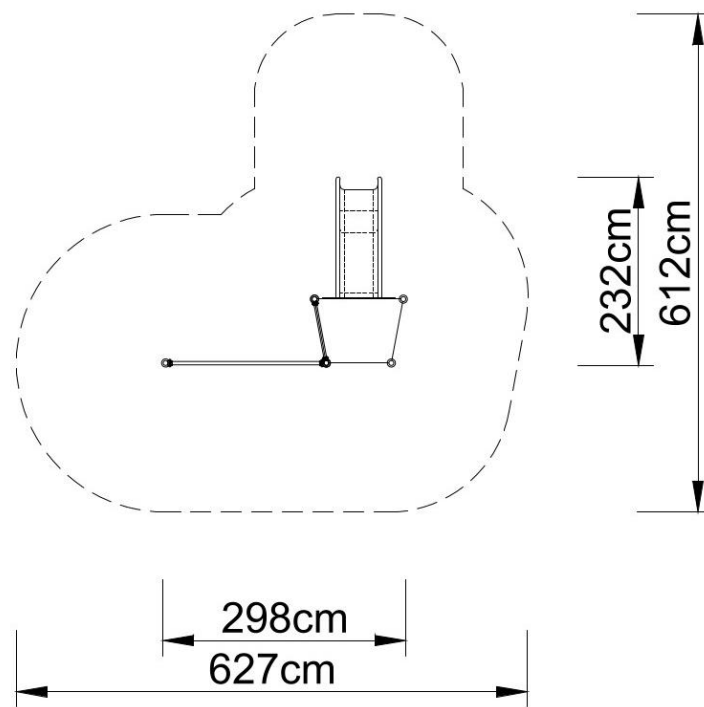


Playground set ECO-KIDS 17104

The set contains:

- 5 poles,
- 1 trapezoidal platform,
- Entry ladder,
- Spider web,
- Single open slide from the platform 90 cm,
- Gable roof,
- Educational panels,
- Connecting elements.





Technical data:

- length: 298 cm
- width: 232 cm
- platform height: 90 cm, total 285 cm
- free fall height: 180 cm
- fall zone: 612 x 627 cm
- safety standards: EN 1176-1; EN 1176-3

Materials:

- Posts with a diameter of \varnothing 60 mm and an axial spacing of 80 cm, made of stainless steel pipes of at least AISI304 class,
- steel platforms, galvanized and powder coated with polyester paints, covered with a waterproof anti-slip plate,
- panels made of HDPE plates with a thickness of 15 mm with a high factor of resistance to UV radiation,
- slide made of polyester laminate,
- clamps and connectors made of aluminum castings, connecting elements, i.e. screws etc. made of stainless steel.